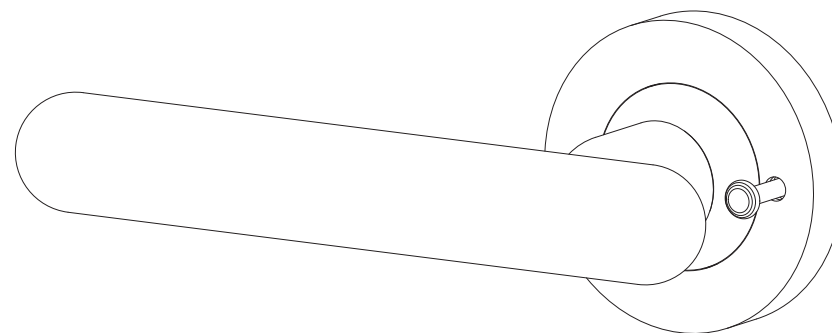

Install Instructions

Puerto Lever on
Round Rose
Inbuilt Privacy

**Southern Design Group
Australia**
14 - 16 Stepney Street,
Stepney, South Australia 5069
P: +61 (0)8 8362 1133
info@iver.com.au
iver-life.com/au

New Zealand
P: +64 (0)6 359 0008
info@iver.co.nz
iver-life.com/nz

SDG Trading Pty Ltd
trading as Iver
ACN 008 154 041
ABN 18 008 154 041



iver

IVER050

Image for illustration purposes only.

1. Unbuild the Product

- 1.1 Unscrew the bolt (D) from lever (A) and remove the lever (A) from inner rose (C). Figure 1.
- 1.2 Unscrew the grub screw (F) from the outer rose privacy (B) and remove outer rose privacy (B) from the inner rose (C). Figure 2.

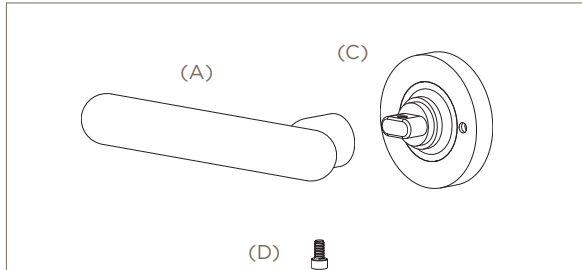


Figure 1

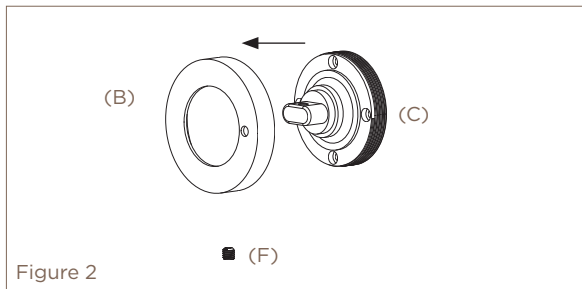


Figure 2

2. Install your tube latch privacy inbuilt mechanism

- 2.1 Refer supplier instructions.



Install Guide

3. Drilling the holes

- 3.1 Affix provided template to door and mark the pilot holes on both sides of the door.
- 3.2 Drill the pilot holes, 2mm or $\frac{1}{16}$ " drill bit if using wood screws (E), or drill 5mm or $\frac{3}{16}$ " through holes from both sides of the door for connector bolts (G).
*Note: If using wood screws (E), the hole closest to the door edge will need to be a D5mm or $\frac{3}{16}$ " through hole to accommodate the privacy pin (R).



Drill Template

- 3.3 Drill the centre spindle hole using a 25mm or 1" spade bit from both sides of the door. Figure 3.

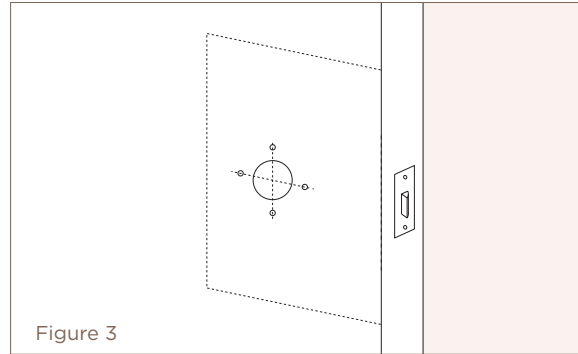


Figure 3

4. Fixing to the door

- 4.1 Place the privacy spindle (P) through your tube latch privacy inbuilt (J). Figure 4.

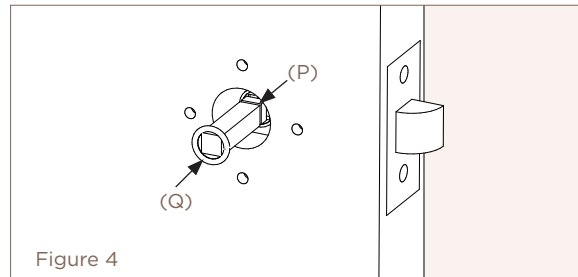


Figure 4

- 4.2 Ensure you have placed the spindle O-ring (Q) over the privacy spindle (P), and it has located into the groove. Figure 5.
*Note: failure to fit spindle O-ring (Q) will result in the spindle moving over time and not engaging the door lever.

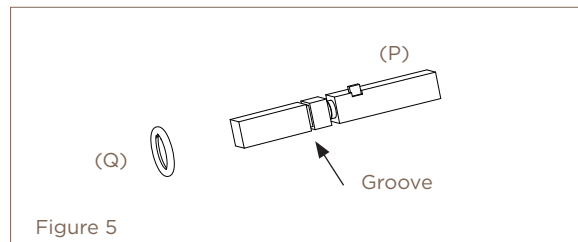


Figure 5

- 4.3 If using connector bolts (G), shorten to suit the door thickness ensuring they will not protrude from the opposite side of the inner rose (C) once installed. Figure 6.

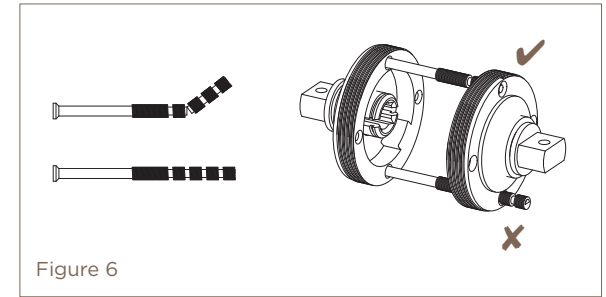


Figure 6

- 4.4 Check the direction of the inner rose (C) is correct for each side of the door. Left hand pictured. Figure 7.

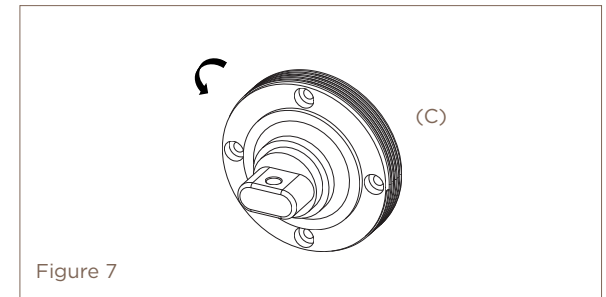


Figure 7

- 4.5 Place the inner rose (C) over the privacy spindle (P) on both sides of the door.
- 4.6 Insert two of the connector bolts (G) through the inner rose (C) left hand (non-threaded) at 12 o'clock & 6 o'clock and begin to tighten.
- 4.7 The third connector bolt (G) must be placed at the furthest hole from the door edge. Screw into opposite side right hand lever on inner rose (C). Figure 8.
- 4.8 Or, affix with wood screws (E). Figure 9.

*Note: The hole closest to the edge of door is reserved for the privacy pin (R).

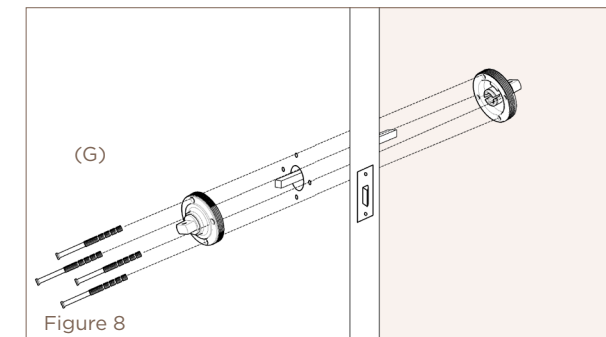
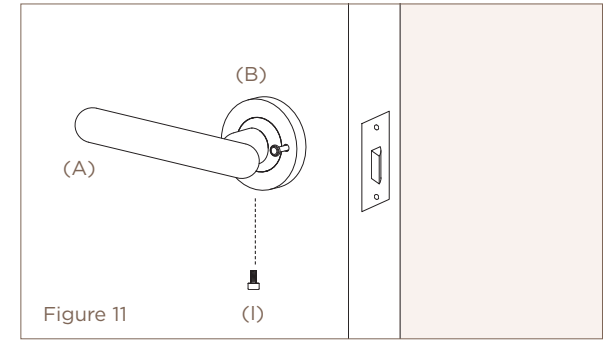
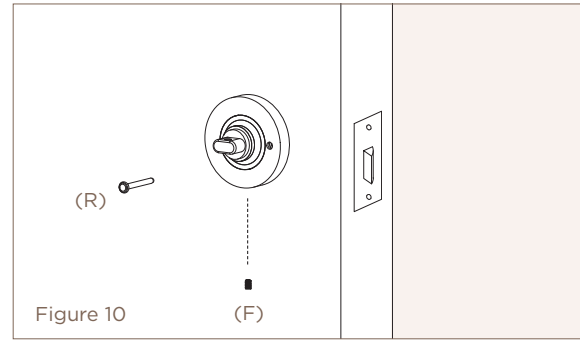
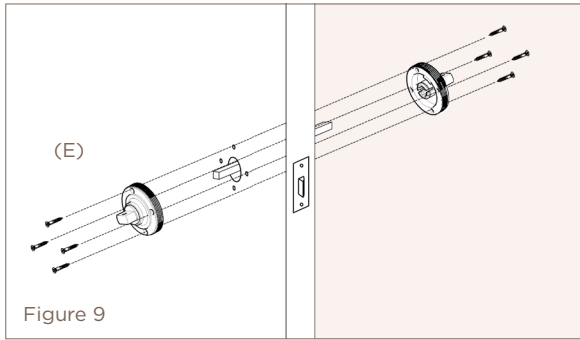


Figure 8



4.9 Place the outer rose privacy (B) over the inner rose (C). Repeat on the other side of door.

4.10 Screw in the privacy pin (R) to the inner rose (C) and check functionality. Fix outer rose privacy (B) with the grub screw (F) using Allen key (H). Repeat on the other side of door. Figure 10.

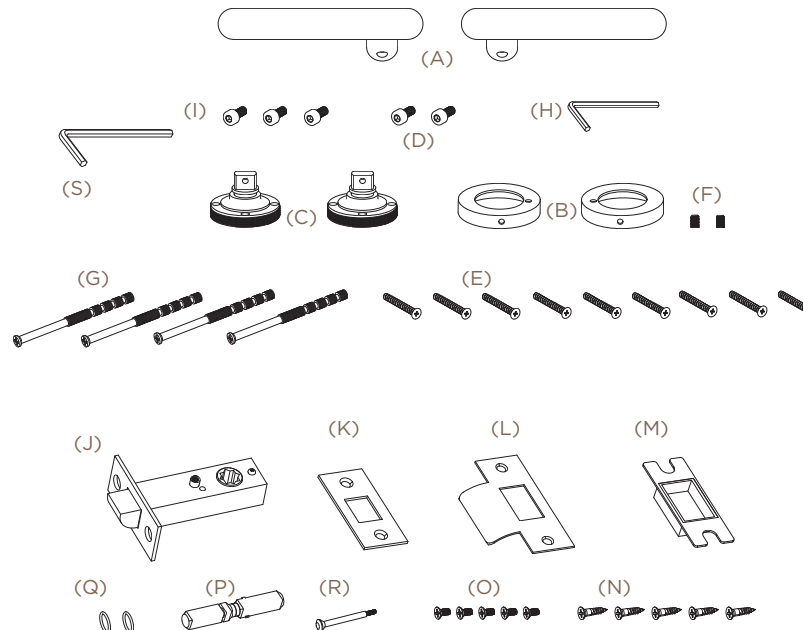
*The remaining visible hole on the outside is so you can access the privacy function with a skewer (or similar) if someone gets locked in.

4.11 Place the lever (A) back over the inner rose (C), ensuring the bolt hole faces downward.

4.12 Attach the bolt with Loctite (I) using the Allen key (S) provided. We recommend using the bolts with Loctite to ensure a secure fix. Figure 11.

Included

- (A) Lever x 2
- (B) Outer rose privacy x 2
- (C) Inner rose x 2
- (D) Bolt M4x0.7 x L8mm x 2
- (E) Wood screw L25mm x 9
- (F) Grub screw x 2
- (G) Connector bolts L65mm x 4
- (H) Allen key 2.5mm x 1
- (I) Bolt M4x0.7 x L8mm with Loctite x 3
- (J) Tube latch privacy inbuilt x 1
- (K) Face plate x 1
- (L) Striker plate x 1
- (M) Dust box x 1
- (N) Phillips head countersunk wood screws M4xL20mm x 5
- (O) Phillips head countersunk metal screws M4xL10mm x 5
- (P) Privacy spindle x 1
- (Q) Spindle O-ring x 2 (one spare)
- (R) Privacy pin x 1
- (S) Allen key 3mm x 1



Important

The screws provided with Iver products are made from solid brass. This allows finishes to be matched as closely as possible and prevents the possibility of screws rusting in coastal areas. Please note that screws require **pre-drilling**. Please take extra care when fitting.

Please install this door hardware in the following order to ensure its warranty is not voided.

1. Install the door hardware on raw / unfinished door using the instructions provided.
2. Remove door hardware and store safely. Do not place painters tape or masking tape over the product. The tape will damage the finish.
3. Paint / finish door.
4. Reinstall hardware.



Warranty



Product &
Finish Care
Information



9 343857 419894



Please recycle me after use