



iver-life.com

MORTICE DEADBOLT EURO BACKSET 60mm DRILL TEMPLATE

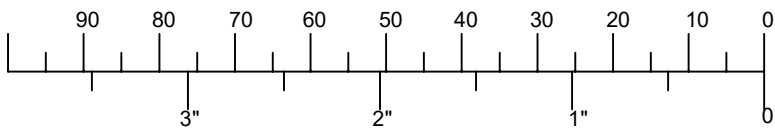
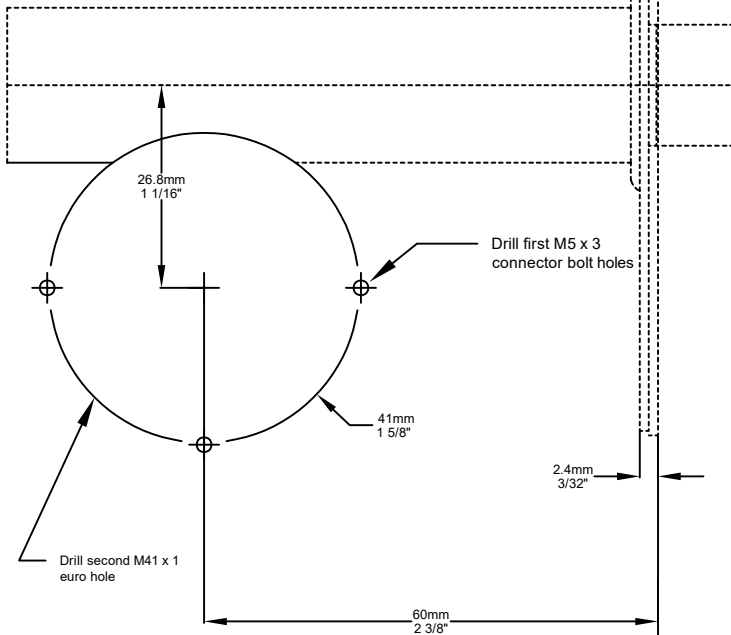


SCAN HERE FOR INSTALL GUIDES



Caution

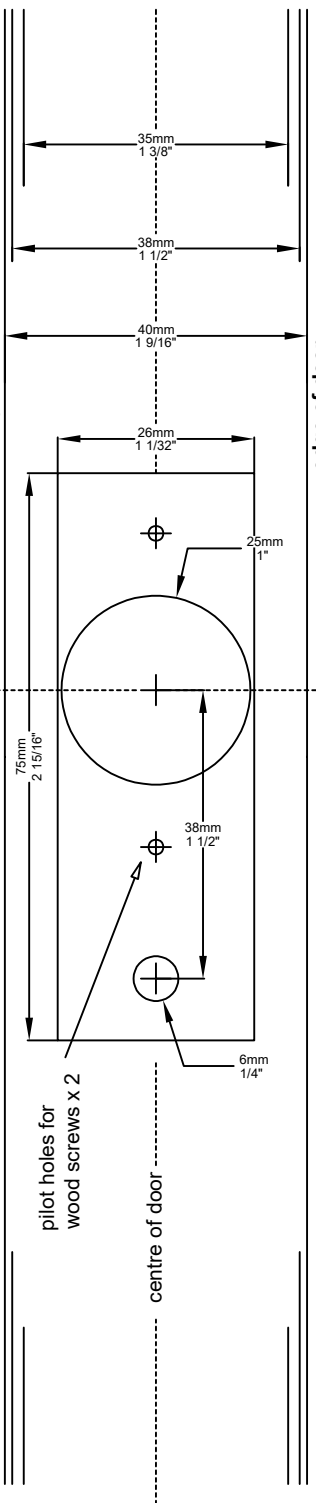
- * Please take time to read the installation guides in full, prior to commencing any work on the door.
- * Check the template is the appropriate template required for the installation
- * Check the scale of the template is correct, using the scale check. If the template is not to scale, please contact your distributor.



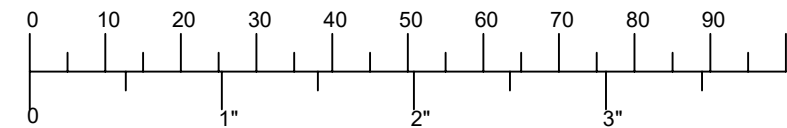
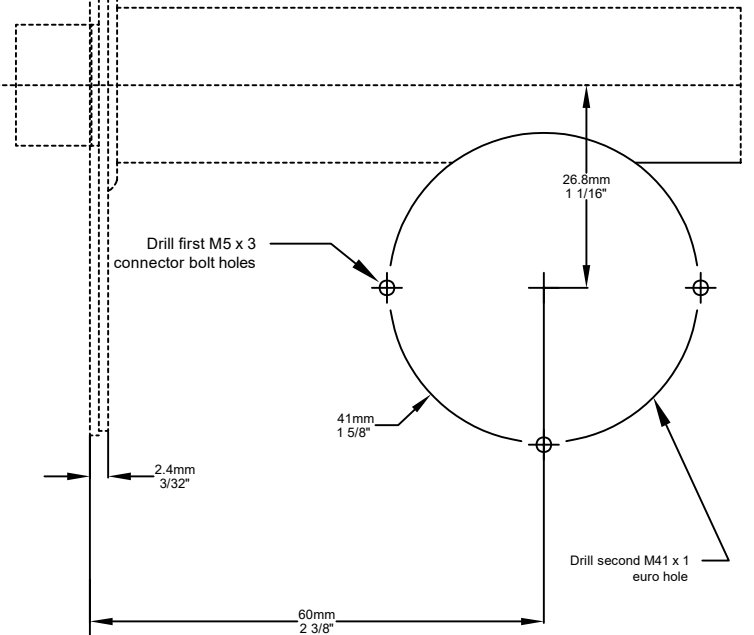
top edge of door

top edge of door

edge of door



edge of door



9 343857 451542
COMP383V3