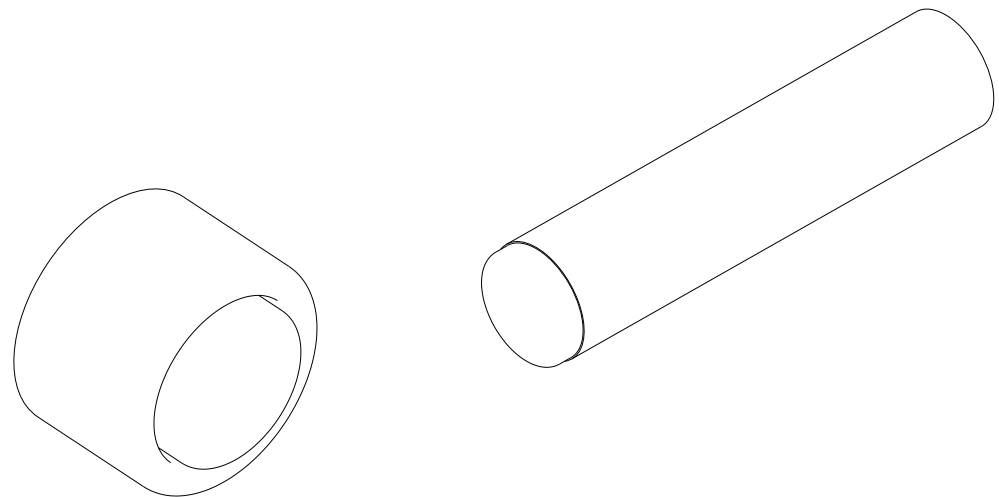

Install Instructions

Magnetic Pencil
Doorstop

**Southern Design Group
Australia**
14 - 16 Stepney Street,
Stepney, South Australia 5069
P: +61 (0)8 8362 1133
info@iver.com.au
iver-life.com/au

New Zealand
P: +64 (0)6 359 0008
info@iver.co.nz
iver-life.com/nz

SDG Trading Pty Ltd
trading as Iver
ACN 008 154 041
ABN 18 008 154 041



iver

IVER048

Image for illustration purposes only.

1. Choosing the location

- 1.1 Open the door to its desired maximum opening angle and determine the location for wall-mounting (usually on the skirting board). Ensure the door stop (B) will strike the assembled keeper (C-F) flush, whilst preventing your door furniture from contacting the wall. Figure 1.

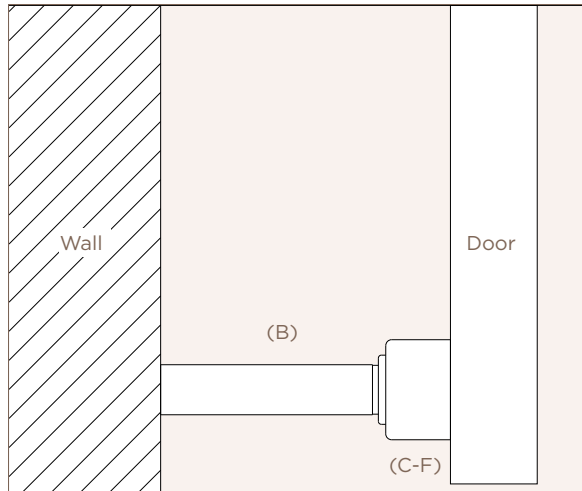


Figure 1

2. Installing the door stop

- 2.1 Unscrew the ferrule (A) from the door stop (B).
- 2.2 Mark the screw hole on wall or skirting board.
- 2.3 Drill the hole:
 - 2.3.1 For fixing into a timber wall or skirting board, drill a pilot hole to a depth of 30mm or 1 ³/₁₆" with your appropriately sized drill bit.
 - 2.3.2 For fixing into concrete/brick, drill a hole using 5mm or ³/₁₆" masonry bit to take the wall plug (H). Figure 2.
- 2.4 Secure the ferrule (A) with screw L45mm (G) then screw the door stop (B) on. Figure 3.

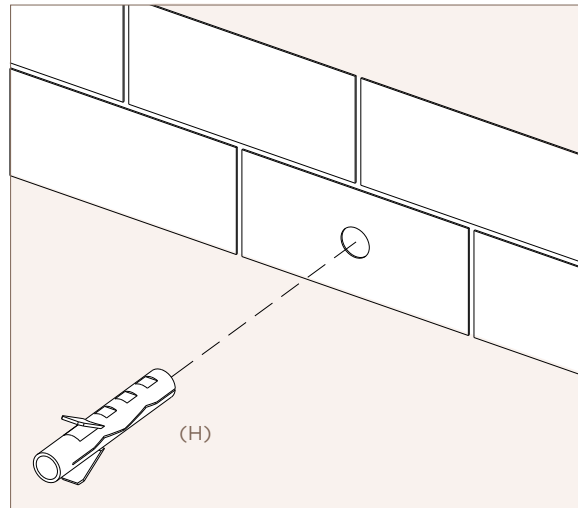


Figure 2

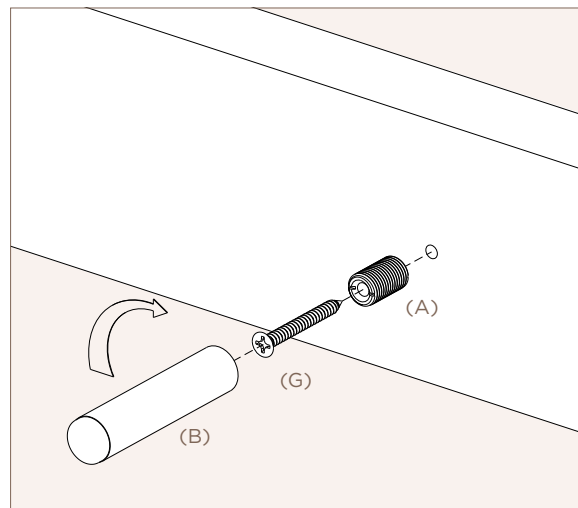


Figure 3

3. Installing the keeper

- 3.1 Attach the assembled keeper (C-F) to door stop (B) ensuring the keeper connects centrally and mark the location of the keeper on the door.
- 3.2 Unscrew the keeper cover (C) from the keeper base (F). Place the magnet (D) inside the keeper cover (C) and put aside.
- 3.3 Using the keeper base (F) mark the 2 screw holes on the door.
- 3.4 Drill 2 pilot holes to a depth of 25mm or 1" with your appropriately sized drill bit.
- 3.5 Secure the keeper base (F) by using the two screws L25mm (I).
- 3.6 Place the wider base of the spring and rubber (E) inside keeper base (F).
- 3.7 Screw the keeper cover (C) with magnet (D) on to the keeper base (F) with spring and rubber (E). Figure 4.

*We have shown the door stop with wall mounting, but the door stop can be mounted to the door and keeper to the wall to make floor cleaning easier, as the door stop will then move with the door.

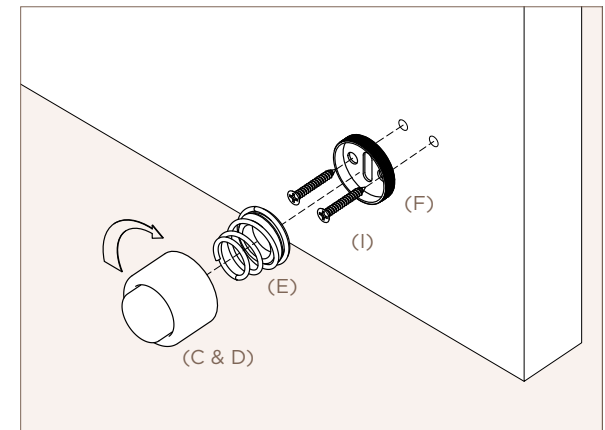
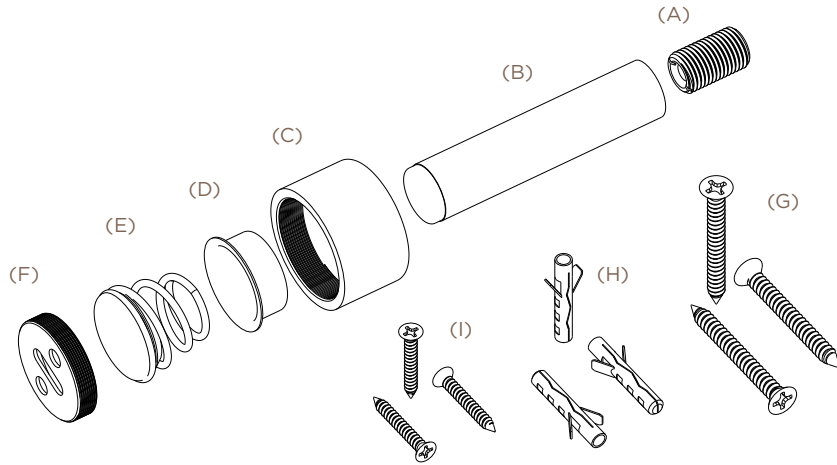


Figure 4

Included

- (A) Ferrule x 1
- (B) Door stop x 1
- (C) Keeper cover x 1
- (D) Magnet x 1
- (E) Spring & rubber x 1
- (F) Keeper base x 1
- (G) Screw L45mm x 3
- (H) Wall plug x 3
- (I) Screw L25mm x 3



Important

The screws provided with Iver products are made from solid brass. This allows finishes to be matched as closely as possible and prevents the possibility of screws rusting in coastal areas. Please note that screws require **pre-drilling**. Please take extra care when fitting.

Please install this door hardware in the following order to ensure its warranty is not voided.

1. Install the door hardware on raw / unfinished door using the instructions provided.
2. Remove door hardware and store safely. Do not place painters tape or masking tape over the product. The tape will damage the finish.
3. Paint / finish door.
4. Reinstall hardware.



Warranty



Product &
Finish Care
Information



9 343857 420326



Please recycle me after use