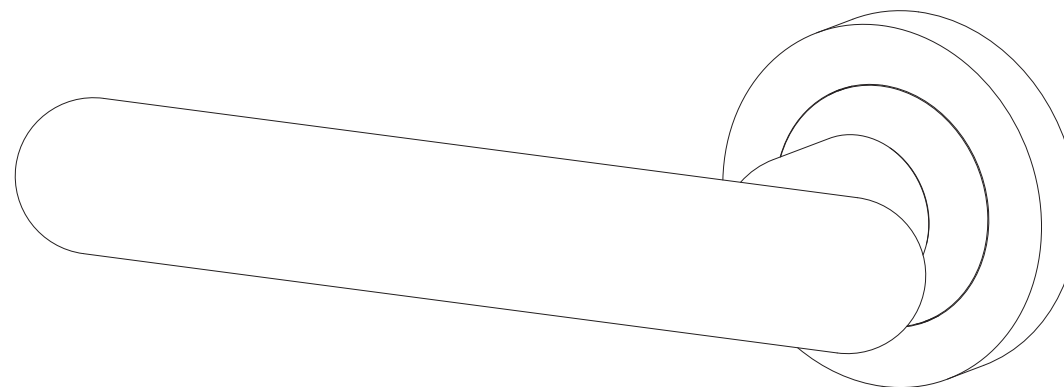

Install Instructions

Puerto Lever on
Round Rose

**Southern Design Group
Australia**
14 - 16 Stepney Street,
Stepney, South Australia 5069
P: +61 (0)8 8362 1133
info@iver.com.au
iver-life.com/au

New Zealand
P: +64 (0)6 359 0008
info@iver.co.nz
iver-life.com/nz

SDG Trading Pty Ltd
trading as Iver
ACN 008 154 041
ABN 18 008 154 041



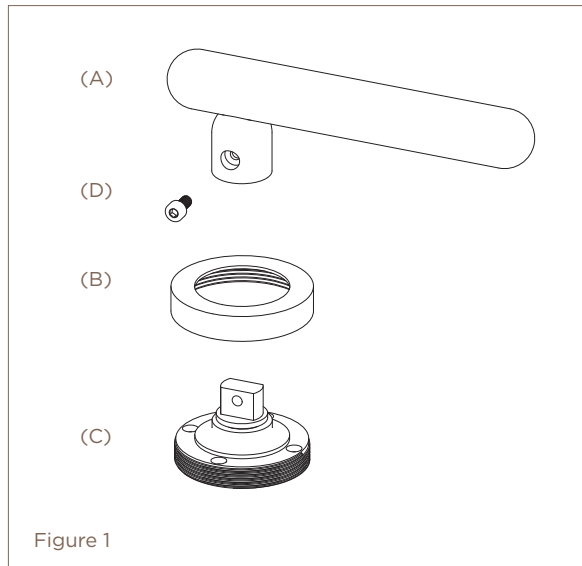
iver

IVER047

Image for illustration purposes only.

1. Unbuild the Product

- 1.1 Unscrew the bolt (D) from lever (A).
- 1.2 Remove the lever (A) from inner rose (C).
- 1.3 Unscrew the outer rose (B) from the inner rose (C).
Figure 1.



2. Install your latch, lock, or privacy mechanism

- 2.1 Install your latch, lock or privacy mechanism (sold separately). Refer supplier instructions.



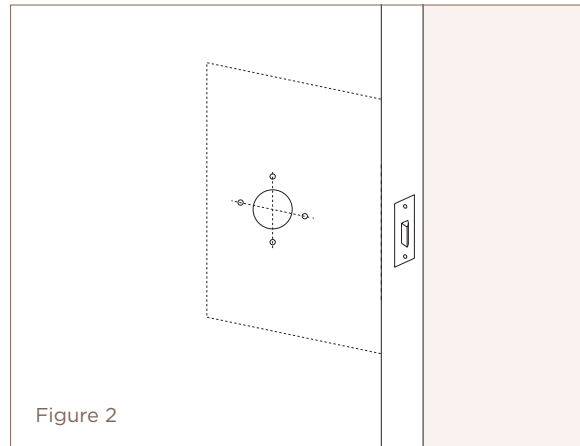
Install Guide

3. Drilling the holes

- 3.1 Affix provided template to door and mark the pilot holes on both sides of the door.
- 3.2 Drill the pilot holes, 2mm or 1/16" for wood screws (E), or 5mm or 3/16" through holes for connector bolts (F) from both sides of the door.
- 3.3 Drill the centre spindle hole using a 25mm or 1" spade bit from both sides of the door.
Figure 2.



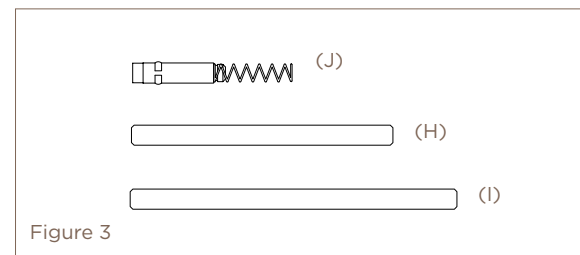
Drill Template



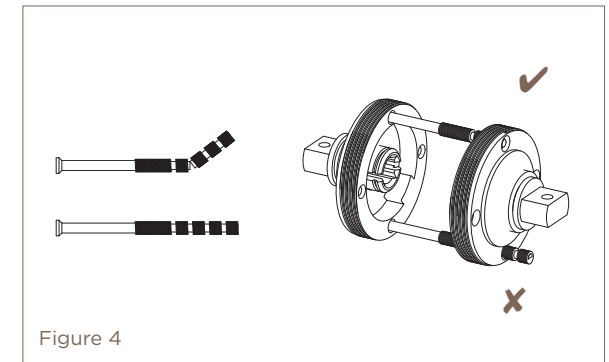
4. Fixing to the door

- 4.1 Place spindle (H) or (I) through the lock body from either side of the door. Ensure to cut your spindle to required length if needed. This will be your door thickness plus 30mm or 1 3/16".

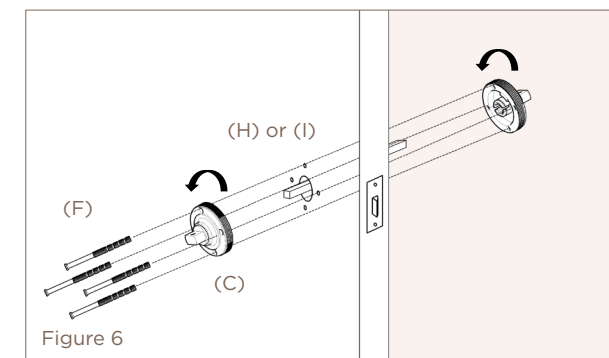
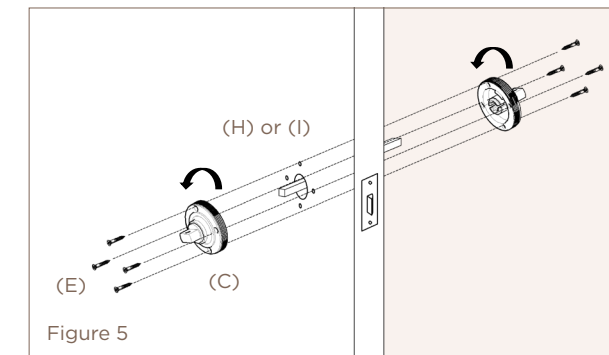
We recommend using the standard spindle (H) or (I) in most applications. Sprung spindles (J) allow each lever to retract independently and are supplied for use in the event that your latch is not operating smoothly as a result of misalignment during installation. Figure 3.



- 4.2 If using connector bolts (F), shorten to suit the door thickness ensuring they will not protrude from the opposite side of the inner rose (C) once installed.
Figure 4.

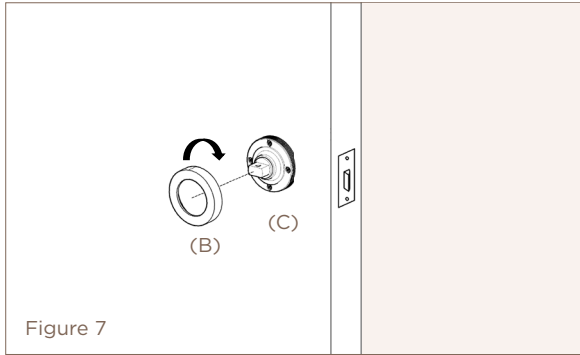


- 4.3 Place the inner rose (C) over the spindle on both sides of the door and fix with either wood screws (E) figure 5, or connector bolts (F) figure 6, ensuring the correct direction for functionality.

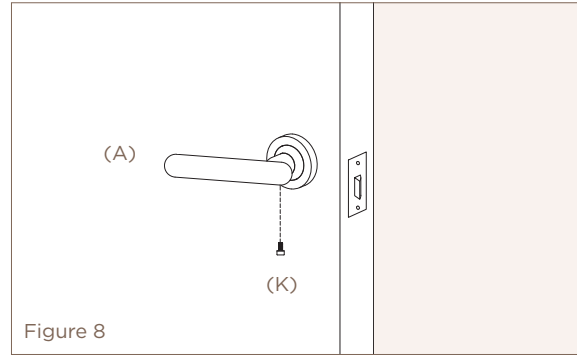


4.4 Screw the outer rose (B) onto the inner rose (C).
Figure 7.

4.5 Place lever (A) over the inner rose (C).

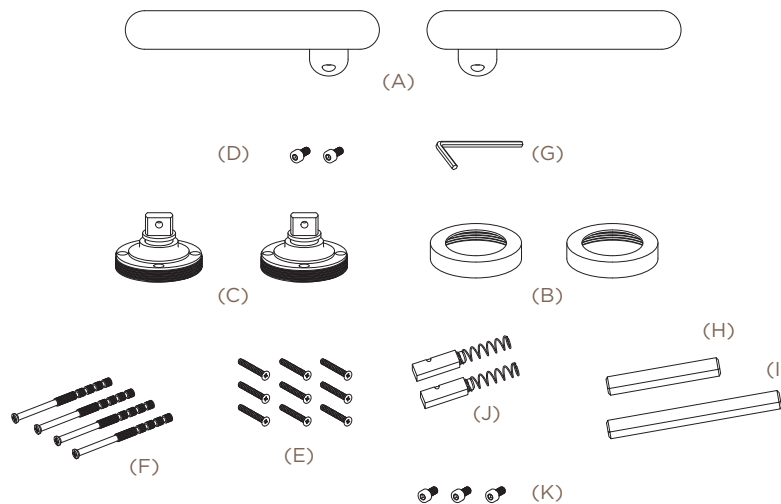


4.6 Attach the bolt with Loctite (K) using the Allen key (G) provided. We recommend using the bolts with Loctite to ensure a secure fix. Figure 8.



Included

- (A) Lever x 2
- (B) Outer rose x 2
- (C) Inner rose x 2
- (D) Bolt M4x0.7 x L8mm x 2
- (E) Wood screw L25mm x 9
- (F) Connector bolts L65mm x 4
- (G) Allen key 3mm x 1
- (H) Spindle L65mm x 1
- (I) Spindle L100mm x 1
- (J) Sprung spindle x 2
- (K) Bolt M4x0.7 x L8mm with Loctite x 3



Important

The screws provided with Iver products are made from solid brass. This allows finishes to be matched as closely as possible and prevents the possibility of screws rusting in coastal areas. Please note that screws require **pre-drilling**. Please take extra care when fitting.

Please install this door hardware in the following order to ensure its warranty is not voided.

1. Install the door hardware on raw / unfinished door using the instructions provided.
2. Remove door hardware and store safely. Do not place painters tape or masking tape over the product. The tape will damage the finish.
3. Paint / finish door.
4. Reinstall hardware.



Warranty



Product &
Finish Care
Information



9 343857 420319



Please recycle me after use